

## Characteristics:

Zero Pressure Drop Gas Shut-Off Valve for Pre-paid Meters



## Specifications:

ATEX classification:	II 3G EX ic IIA T3
Resistance to gas and vapour:	EN 1359: 2007
Electrical safety:	EN 60079-0: 2013-04, EN 60079-11: 2012-06
Operating temperature:	-25°C ... +55°C
Storage temperature:	-25°C ... +70°C
Life time:	≤ 10 years / ≤ 5000 cycles
Climate class:	"wide-spread" , DIN IEC 60721-2-1:1992
Thermal class:	130 (B) , DIN EN 60085: 2005
RoHS:	2002/95/EC
Weight:	100 g
Installation:	Inlet or outlet side
Type:	GMPC - Compact gas shut-off valve GMPS - Compact gas shut-off valve with sensor GMPI - Compact gas shut-off valve with sensor and integrated electronic

## Performance Data:

### General

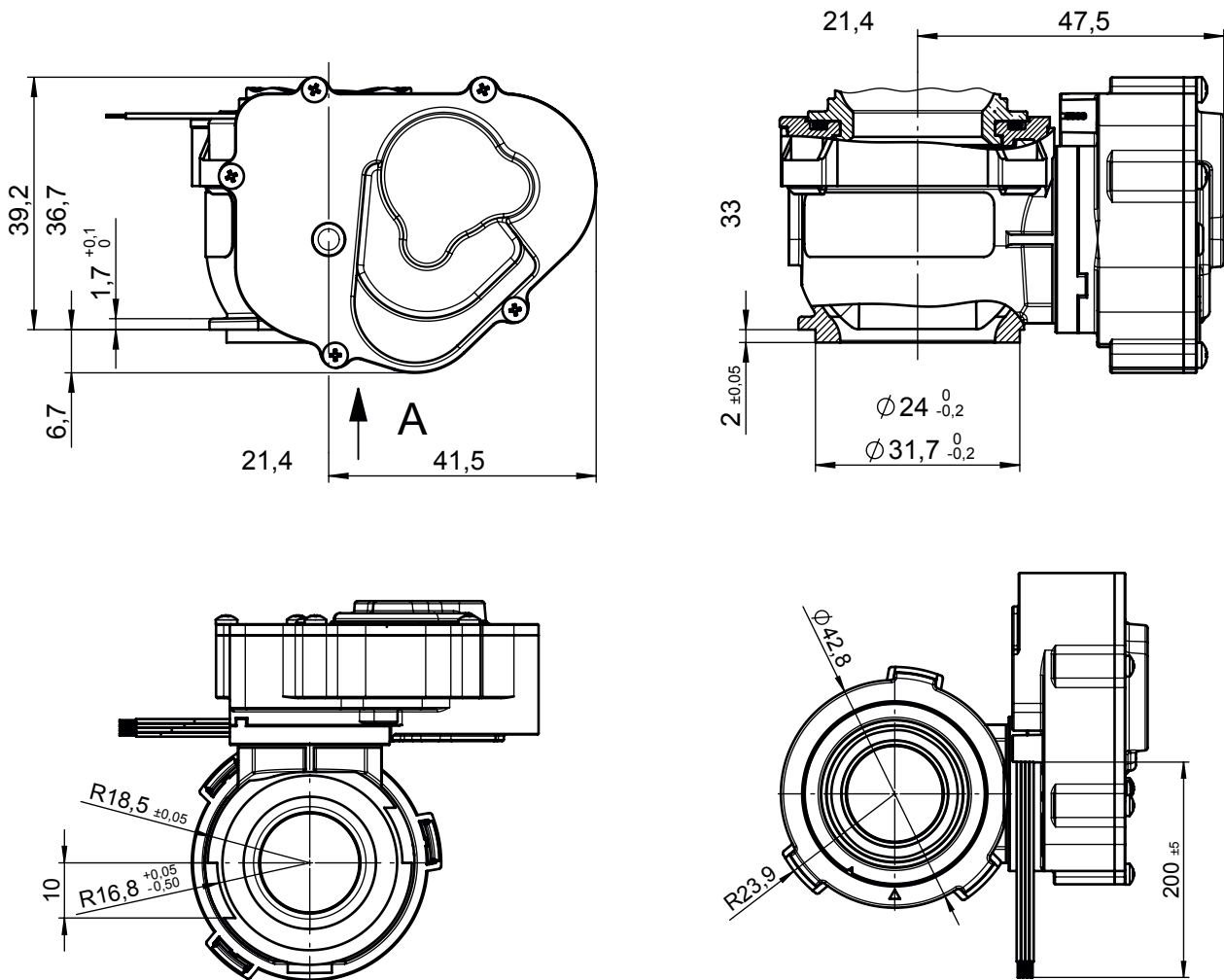
Operating pressure:	30 mbar
Maximum pressure:	500 mbar
External leakage (20°C):	< 1l at 75 mbar, < 5l at maximum pressure
Internal leakage (20°C):	< 50 ml at 10 mbar
Flow rate:	≤ 10 m <sup>3</sup> / h (for G4 and G6 meters)
Pressure drop:	< 0.1 mbar at 10 m <sup>3</sup> / h, 100 mbar
Closing speed:	< 5 sec. at 3.6 V

### Electrical

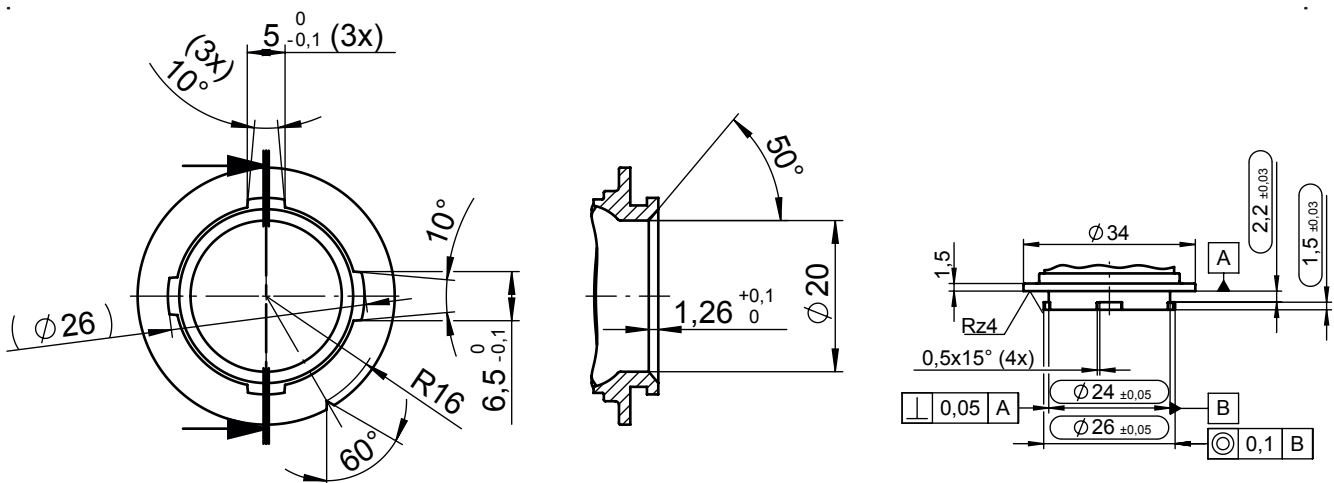
Nominal voltage:	2.8 V ... 3.6 V
Winding resistance:	69 Ohm ±10%
Inductance:	33 mH ±10% at 1000 Hz sine wave, 0,25 V
Energy consumption:	≤ 1 Ws at nominal voltage (closing cycle)

Disclaimer: Data sheet for reference only. All data and specifications are subject to change without notice to improve reliability, function, design or otherwise. For a detailed specification and specific application support please contact your local Johnson Electric sales office.

Saia GMP Dimensions



Adapter Interface



Disclaimer: Data sheet for reference only. All data and specifications are subject to change without notice to improve reliability, function, design or otherwise. For a detailed specification and specific application support please contact your local Johnson Electric sales office.